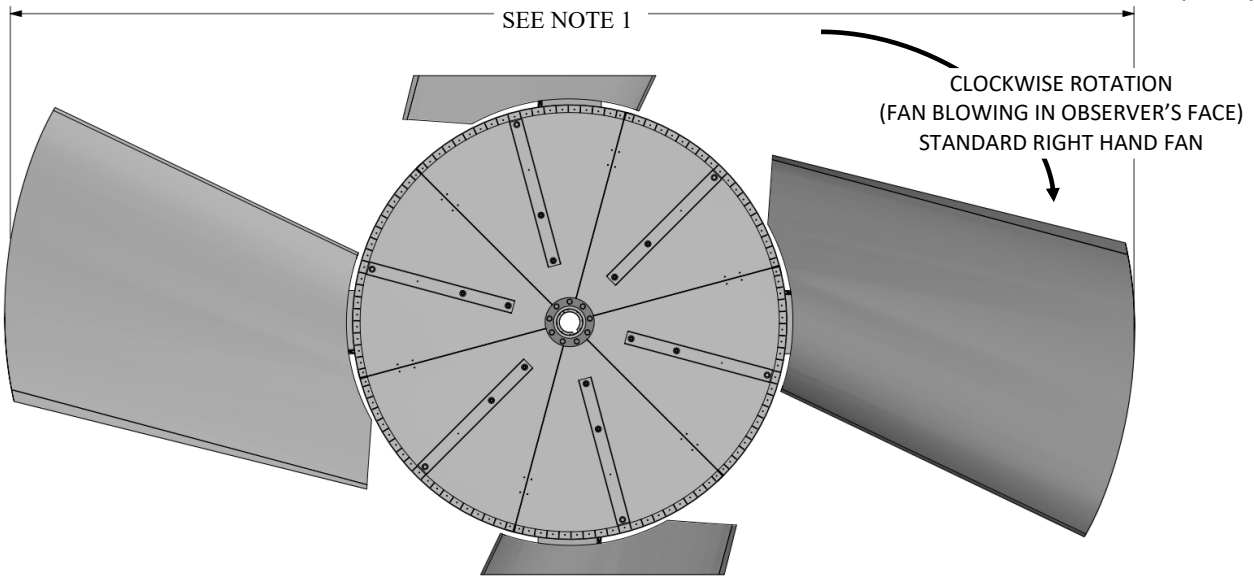


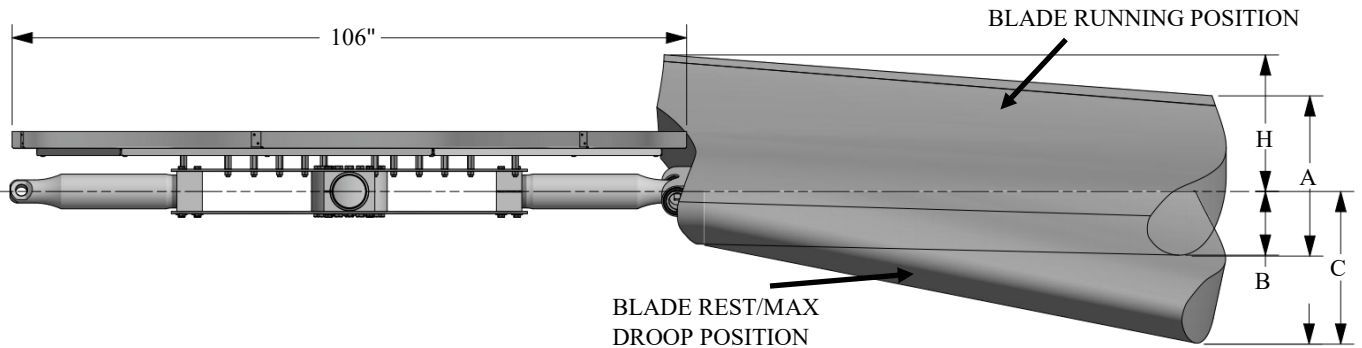
# CLASS 10000 MAG SERIES 108

RH ROTATION

*Moore*  
FANS

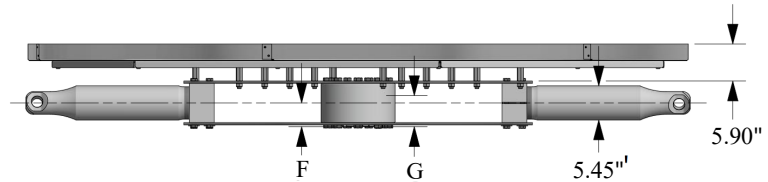


NOTE 1:  
MAXIMUM FAN DIAMETER EQUALS NOMINAL FAN DIAMETER.  
ADJUSTMENT OF ±1.5 INCHES POSSIBLE AT INSTALLATION



- A = BLADE TIP PROFILE HEIGHT (PATH WIDTH)
- B = BLADE RUNNING DROOP (C/L TO BOTTOM OF BLADE)
- C = MAXIMUM DROOP POSITION OF BLADES AT 30° (C/L TO BOTTOM OF BLADE)
- D = MINIMUM OBSTACLE CLEARANCE AT INLET
- F = CENTERLINE OF FAN TO BASE OF BUSHING (STANDARD HUB WITHOUT EXTENSION)
- G = BUSHING OVERALL HEIGHT
- H = MAXIMUM HEIGHT OF BLADE AT 25° (C/L TO AIR OUTLET SIDE)
- L = MAX . BUSHING TORQUE FT. LBS.
- # = WITH S.A.E. STANDARD SQUARE KEYWAY
- \* = WITH SHALLOW KEYWAY IN BUSHING
- o = MAX METRIC BORE WITH STANDARD KEYWAY

BUSHING AND/OR AIR SEAL  
CAN BE INSTALLED ON INLET  
OR OUTLET SIDE OF FAN



SHAFT (BY OTHERS) MUST  
FULLY ENGAGE BUSHING

DIA	WITH FAN OPERATING AT 10000 FT/MINUTE BLADE TIP SPEED							
	BLADE ANGLE			PERCENT BLADE LOADING				
	15°	20°	25°	100%	75%			
	A	B	C	D	H			
23'	27.4"	33.0"	38.8"	28.5"	25.7"	35.6"	6"	34.7"

MAX BLADES	BUSHING TYPE	MAX # BORE	MAX * BORE	MAX o BORE	F	G	L
10	Z	5.000"	5.500"	140	3.7"	4.0"	18000